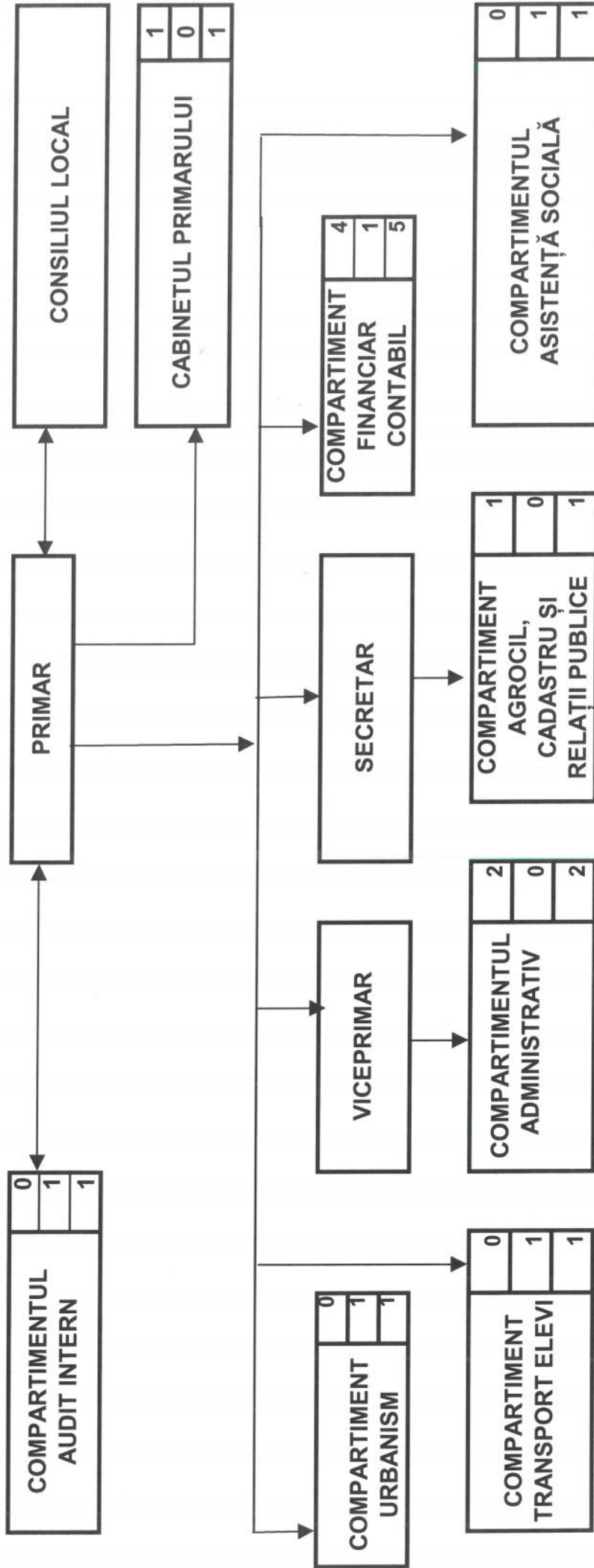


**ORGANIGRAMA
PRIMĂRIEI COMUNEI BERENI
JUDEȚUL MUREȘ**



COMPARTIMENTUL AUDIT INTERN	0	1	1
--------------------------------	---	---	---

CONSILIUL LOCAL			
-----------------	--	--	--

CABINETUL PRIMARULUI	1	0	1
----------------------	---	---	---

COMPARTIMENT URBANISM	0	1	1
--------------------------	---	---	---

VICEPRIMAR			
------------	--	--	--

SECRETAR			
----------	--	--	--

COMPARTIMENT FINANCIAR CONTABIL	4	1	5
---------------------------------------	---	---	---

COMPARTIMENT TRANSPORT ELEVI	0	1	1
---------------------------------	---	---	---

COMPARTIMENTUL ADMINISTRATIV	2	0	2
---------------------------------	---	---	---

COMPARTIMENT AGROCIL, CADASTRU ȘI RELAȚII PUBLICE	1	0	1
--	---	---	---

COMPARTIMENTUL ASISTENȚĂ SOCIALĂ	0	1	1
-------------------------------------	---	---	---

DEMNITARI	2		
FUNCȚIONARI PUBLICI	7		
PERSONAL CONTRACTUALI	7		
TOTAL POSTURI	16		

PRIMAR
BENEDEKFI Csaba

